

LIFTMOORE 206REL CRANE

6,500 FT.-LB. MOMENT RATING
2,000 LB. MAXIMUM CAPACITY

With its 6500 Ft.-Lb. size range featuring both power rotation and power boom elevation. This crane is perfectly suited for mounting on ¾ ton trucks where the safety of power rotation and the convenience of power elevation are required.

- Hydraulic boom elevates from 0 degrees to +75 degrees by means of a double acting cylinder that incorporates an integrally mounted counterbalance valve for safest operation.
- Rotation is unlimited on a ball bearing slewing ring. A low speed high torque hydraulic motor driving a worm type gear set powers the rotation.



Boom Manually
Extends from
5.5 Ft. to 9 Ft.

3/16 GAC

Traveling Block w/hook
& Safety Latch.
Meets ANSI Standard

12V DC Planetary
Gear Winch

Power Elevation

Power Rotation

Electric Hydraulic
Pump

Pedestal Height
can varied to meet your
mounting requirements

Model
206REL
Shown

LOAD CAPACITY - LBS. 6,500 FT-LBS

BOOM LENGTH - FT.

	0°	15°	30°	45°	60°	75°
5'6"	1182	1224	1365	1671	2000	2000
7'3"	897	928	1035	1268	1793	2000
9'0"	722	748	834	1021	1444	2000



713-688-5533

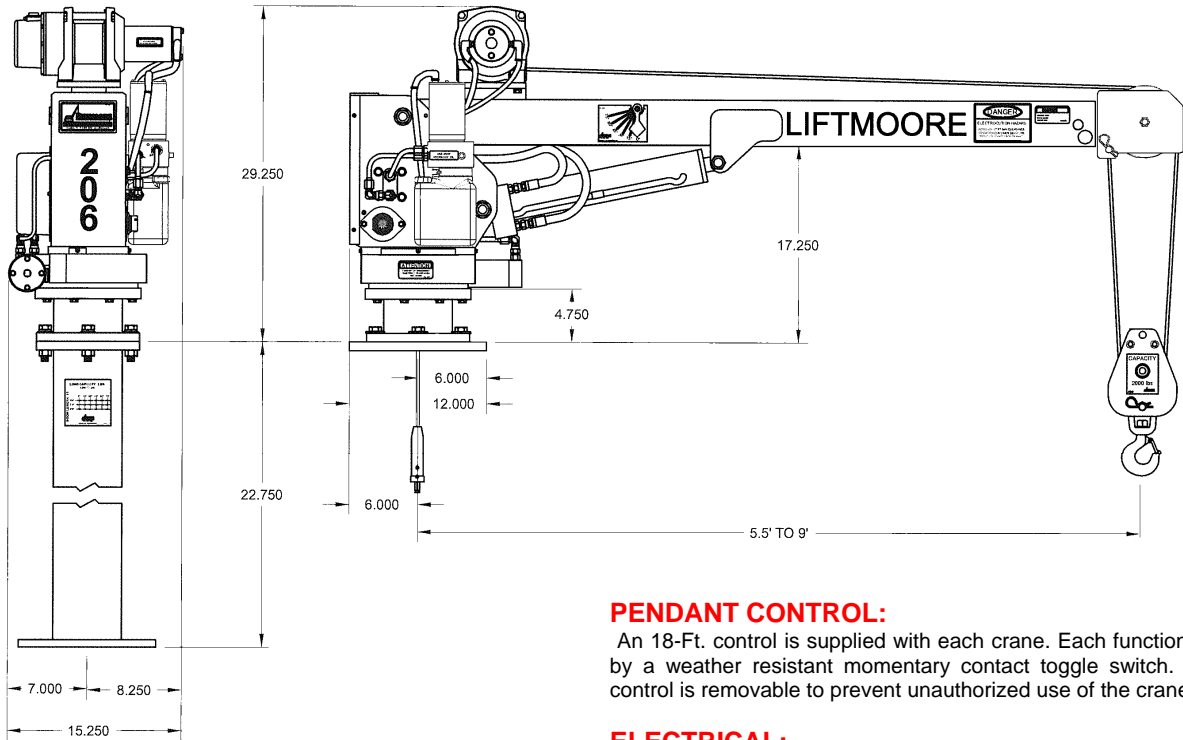
WWW.LIFTMOORE.COM

22373



HOUSTON, TEXAS
FAX: (800) 824-5559 (USA & Canada)
FAX: (713) 688-6324
PHONE: (713) 688-5533
www.liftmoore.com

206REL SPECIFICATIONS



HOIST WINCH:

The Hoist winch uses a planetary gear drive for most efficient operation. The winch is powered by a permanent magnet electric motor. The single line capacity of the winch is 1200 lbs. An integral mechanical brake is included with the winch.

Winch performance as follows.

Load (lbs)	Hook speed (Ft./ Min.)	Amp Draw
0	25	22
600	21	63
900	19	84

* Use travel block double line, for loads above 1000 Lbs.

WIRE ROPE and SHEAVES:

The crane is supplied with 35 Ft. of 3/16 in. galvanized aircraft cable with a 4200 Lb. breaking strength. All sheaves meet ANSI requirements.

ROTATION:

The hydraulic powered rotation is continuous and unlimited. The crane rotates on an external gear ball bearing slewing ring and is driven by a low speed high torque hydraulic motor.

BOOM: The standard boom length in the horizontal position is 5.5 Ft with a manually telescoping section to 9.0 Ft. Boom is elevated from 0 to +75 degrees by a double acting hydraulic cylinder. For safest operation the cylinder incorporates an integral counterbalance valve that will hold the load in the event of hose failure

HYDRAULIC SYSTEM:

A 12-volt electric-hydraulic pump powers both boom elevation and crane rotation. Four way directional control valves are used to control the hydraulically driven functions.

PENDANT CONTROL:

An 18-Ft. control is supplied with each crane. Each function is controlled by a weather resistant momentary contact toggle switch. The pendant control is removable to prevent unauthorized use of the crane.

ELECTRICAL:

The vehicle 12-volt DC system powers the crane. A second battery near the crane is advised. This will maintain the voltage at the highest possible level and extend the life of the crane's motors and solenoids.

A double pole electric contactor reverses the winch motor. The electric-hydraulic pump motor is controlled by a single pole solenoid. 25 Ft. of battery cable with quick disconnects, a 3-Ft. ground wire, quick disconnect switch, and a 150 Amp circuit breaker is supplied with each crane.

LOAD SENSOR:

A load sensing pressure switch is mounted on the base of the elevation cylinder. The switch will shut down winch up and boom down when an overload is detected. The load sensor will reset after the load is reduced. The pressure relief setting in the pump limits boom up.

PEDESTAL:

A standard pedestal height of 27 In. from base of mounting plate to point of rotation is standard. This can be shortened to 5.5 in. to accommodate mounting on service body compartment top. (Special heights can be produced upon request)

MOUNTING: A minimum 9,00 Lb. GVWR recommended.

Four ½ in. X 2-3/4 In. long grade 8 bolts are supplied. The base plate is a 12-in. square with a 9.5-In square bolt pattern.

BOOM REST:

A boom rest is required to support the boom whenever the vehicle is in motion. Liftmoore can supply your boom rest, its just one of the many options available.

OPTIONAL: Anti-Two Block

ACCESSORIES:

A jackstand or outrigger is necessary on most installations to keep the truck as level as possible and reduce the load on the rotation bearings as well as the truck's springs, axels, wheels and tires.



HOUSTON, TEXAS
 FAX: (800) 824-5559 (USA & Canada)
 FAX: (713) 688-6324
 PHONE: (713) 688-5533
 www.liftmoore.com

Bulletin 461-A 12/30/13